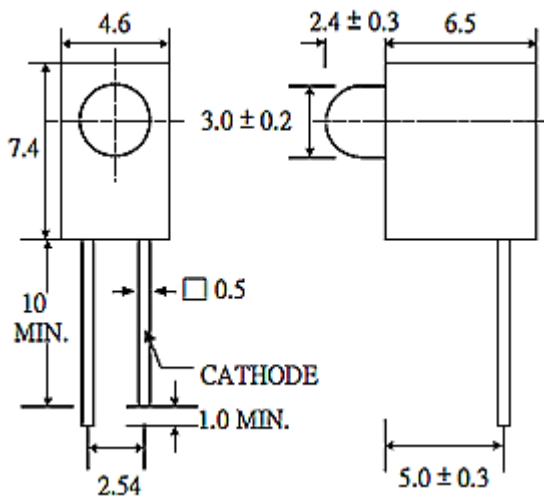


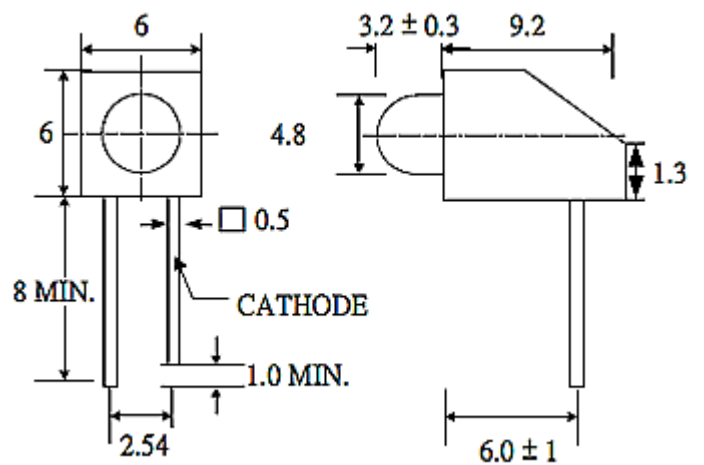
Housing

Size	Part No.	Emitted Colour	Chip		Electro-Optical Characteristics (IF= 20mA)				Viewing Angle (deg)	Dimension
			Material	λD (nm)	Vf (V)		Iv (mcd)			
					Typ.	Max.	Min.	Typ.		
H302	B3N-142/H302	Red	GaP	660	2.1	2.6	15	25	60	A
	B3N-143/H302	Green	GaP	570	2.1	2.6	15	25	60	
	B3N-144/H302	Yellow	GaAsP / GaP	588	2.1	2.6	15	20	60	
H401	B4-132/H401	Red	GaP	660	2.1	2.6	20	40	50	B
	B4-133/H401	Green	GaP	570	2.1	2.6	20	40	50	
	B4-134/H401	Yellow	GaAsP / GaP	588	2.1	2.6	20	30	50	
H306	B3N-142/H306	Red	GaP	660	2.1	2.6	15	25	60	C
	B3N-143/H306	Green	GaP	570	2.1	2.6	15	25	60	
	B3N-144/H306	Yellow	GaAsP / GaP	588	2.1	2.6	15	20	60	
H308	B3N-142/H308	Red	GaP	660	2.1	2.6	15	25	60	D
	B3N-143/H308	Green	GaP	570	2.1	2.6	15	25	60	
	B3N-144/H308	Yellow	GaAsP / GaP	588	2.1	2.6	15	20	60	
H4102	B4-132/H4102	Red	GaP	660	2.1	2.6	20	40	50	E
	B4-133/H4102	Green	GaP	570	2.1	2.6	20	40	50	
	B4-134/H4102	Yellow	GaAsP / GaP	588	2.1	2.6	20	30	50	
H4104	B4-132/H4104	Red	GaP	660	2.1	2.6	20	40	50	F
	B4-133/H4104	Green	GaP	570	2.1	2.6	20	40	50	
	B4-134/H4104	Yellow	GaAsP / GaP	588	2.1	2.6	20	30	50	

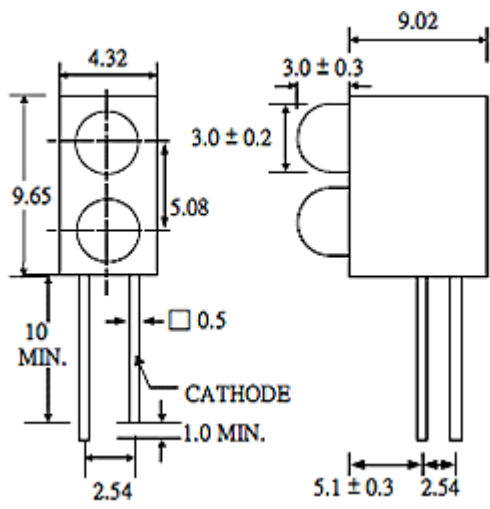
A



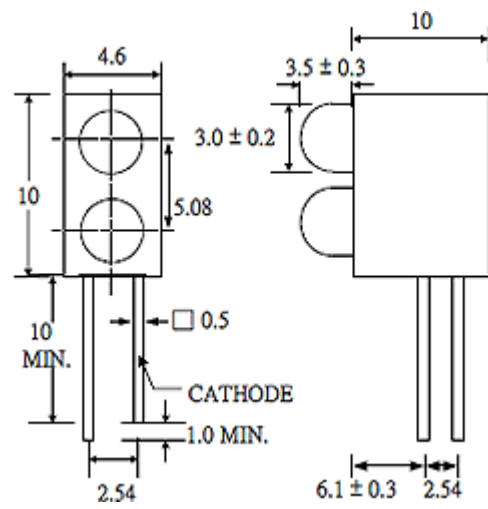
B



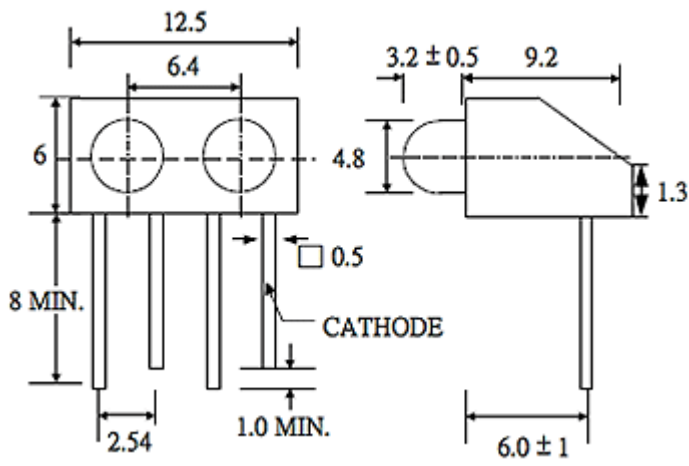
C



D



E



F

